



ENG

Single phase energy meter

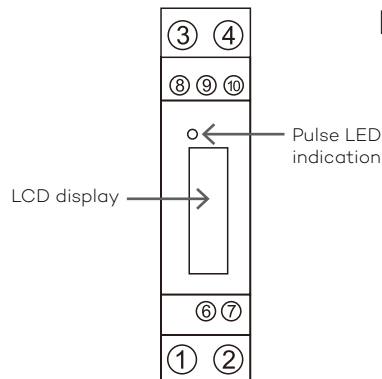
BY HABA

User manual
Gebruiksaanwijzing
Gebrauchsanweisung
Mode d'emploi

kWh meter
kWh meter
kWh-Zähler
Compteur kWh

IEC 1SO9001

ENG



Technical specification

Standard	IEC 62053 -21(iec61036)
Normal voltage	120/220/230V ±10%
Basic current (Ib2)	5A
Maximum current	45A
Minimum current	0.02A
Frequency	50HZ
Consumption	<1W/10VA
Accuracy class	1
Display	LCD 5+2 or 6+1 digits Mechanical register 5+1digits
Interface	Open collector output(so) 18-27v 27mA
Impulses	2000imp/kWh(0.5wh/Imp)-LCD 1000imp/kWh(1.0wh/Imp)

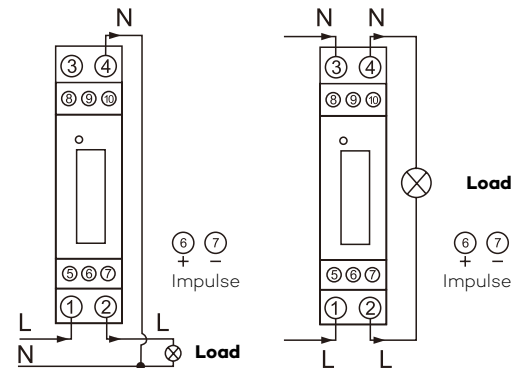
ENG

Led colour
PINK
Normal operation
Flashing rate proportional to load

Installation

Mounting
Protection
Din rail 35mm
IP20 (terminal covers included)

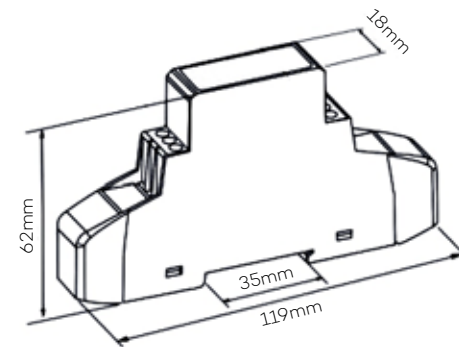
Wiring



ENG

Warranty
Warranty is 24 months
It expires if the seal is removed/damaged.

Dimensions



HABA Happycampers



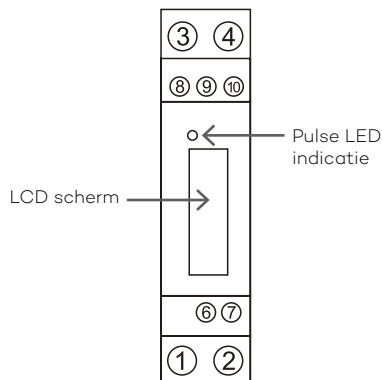
NL

kWh meter

BY HABA

NEDERLANDS

NL



Technische specificaties

Standaard	IEC 62053 -21(iec61036)
Normale spanning	120/220/230V ±10%
Basisstroom (Ib2)	5A
Maximale stroom	45A
Minimale stroom	0.02A
Frequentie	50HZ
Verbruik	<1W/10VA
Nauwkeurigheidsklasse: 1	
Scherm	LCD 5+2 or 6+1 digits Mechanical register 5+1digits
Interface	Open collector output(so) 18-27v 27mA
Impulsen	2000imp/kWh(0.5wh/Imp)-LCD 1000imp/kWh(1.0wh/Imp)

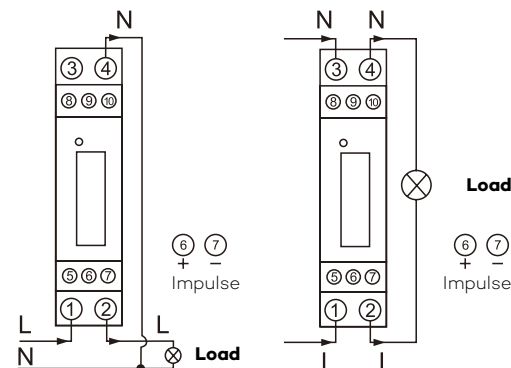
NL

Led-kleur
ROZE
Normale werking
Knippersnelheid evenredig met belasting

Installatie

Mounting
Protection
Din rail 35mm
IP20 (afdekplaatjes voor aansluitingen inbegrepen)

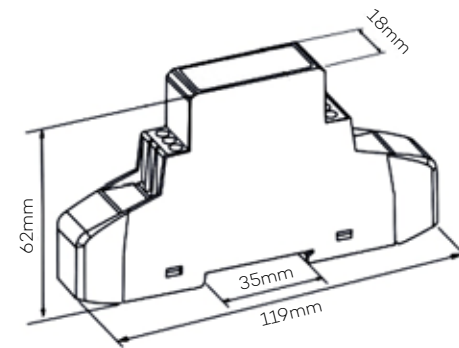
Bedrading



NL

Garantie
Garantie is 24 maanden
Deze vervalt als de verzegeling verwijderd/beschadigd is.

Afmetingen



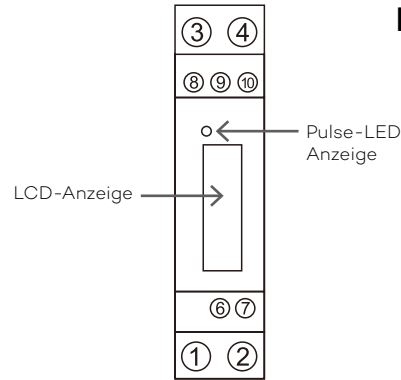
HABA Happycampers



DEU

kWh-Zähler
BY HABA

DEUTSCH



Technische Daten
 Standard IEC 62053 -21(iec61036)
 Normale Spannung 120/220/230V ±10%
 Grundstrom (I_{b2}) 5A
 Maximaler Strom 45A
 Minimaler Strom 0.02A
 Frequenz 50HZ
 Verbrauch <1W/10VA
 Genauigkeitsklasse 1
 Anzeige LCD 5+2 or 6+1 digits
 Mechanical register 5+1digits
 Schnittstelle Open collector output(so) 18-27v 27mA
 Impulse 2000imp/kWh(0.5wh/Imp)-LCD
 1000imp/kWh(1.0wh/Imp)

DEU

Led Farbe

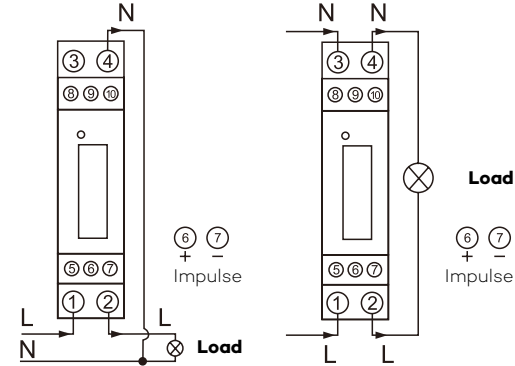
PINK Normaler Betrieb
 Blinkrate proportional zur Last

DEU

Installation

Mounting Din rail 35mm
 Protection IP20 (Terminalabdeckungen inklusive)

Verkabelung

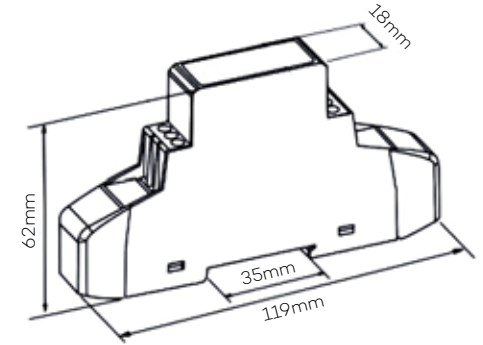


Garantie

Die Garantie beträgt 24 Monate
 Sie erlischt, wenn das Siegel entfernt/beschädigt wird.

DEU

Abmessungen



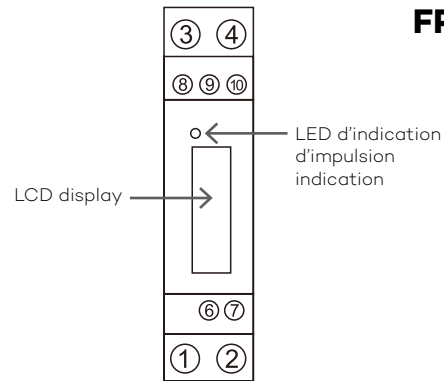
HABA Happycampers



FR

Compteur kWh
BY HABA

FRANÇAIS



Spécifications techniques
 Standard IEC 62053 -21(iec61036)
 Envergure normale 120/220/230V ±10%
 Flux de base (I_{b2}) 5A
 Espace maximal 45A
 Espace minimal 0.02A
 Fréquence 50HZ
 Consommation <1W/10VA
 Classe de précision: 1
 Écran LCD 5+2 or 6+1 digits
 Mechanical register 5+1digits
 Interface Open collector output(so) 18-27v 27mA
 Impulsions 2000imp/kWh(0.5wh/Imp)-LCD
 1000imp/kWh(1.0wh/Imp)

FR

Couleur des LED

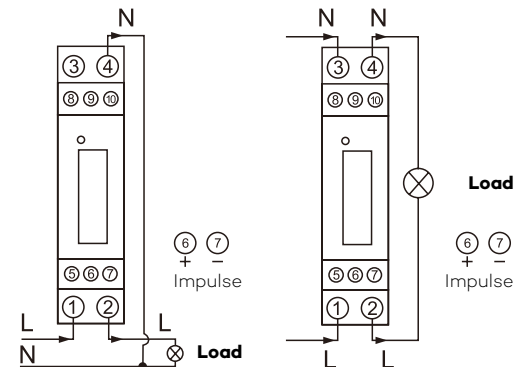
ROSE Fonctionnement normal
 Vitesse de clignotement proportionnelle à la charge

FR

Installation

Mounting Din rail 35mm
 Protection IP20 (plaques de recouvrement pour connexions incluses)

Câblage

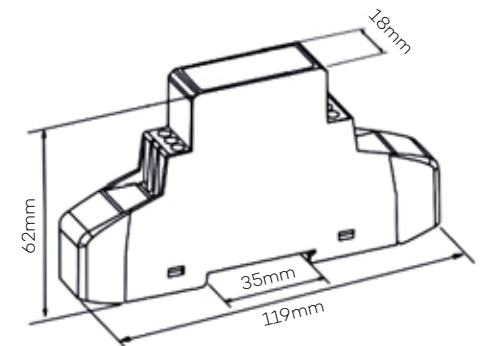


Garantie

La garantie est de 24 mois
 Elle expire si le sceau est retiré/endommagé.

FR

Dimensions



HABA Happycampers